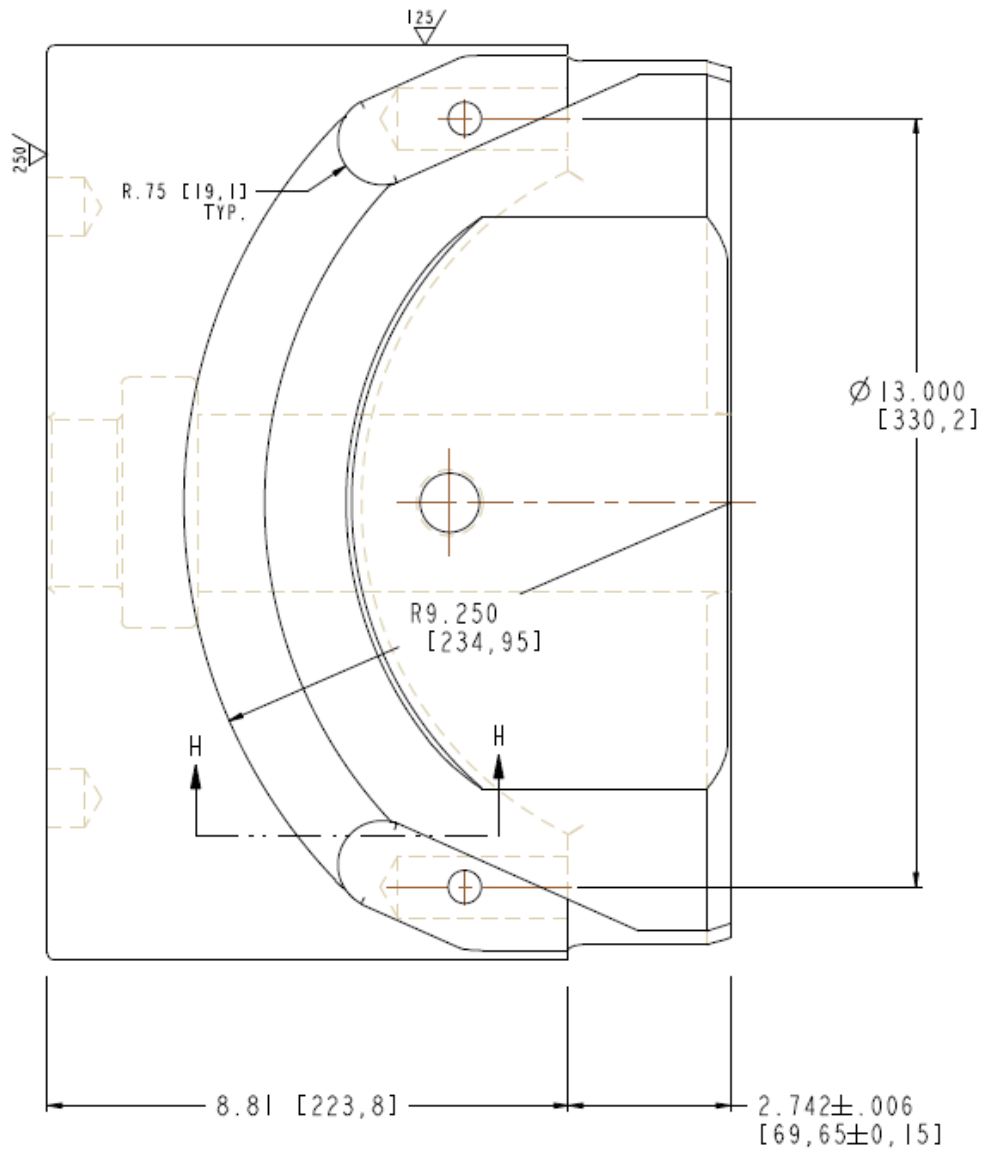


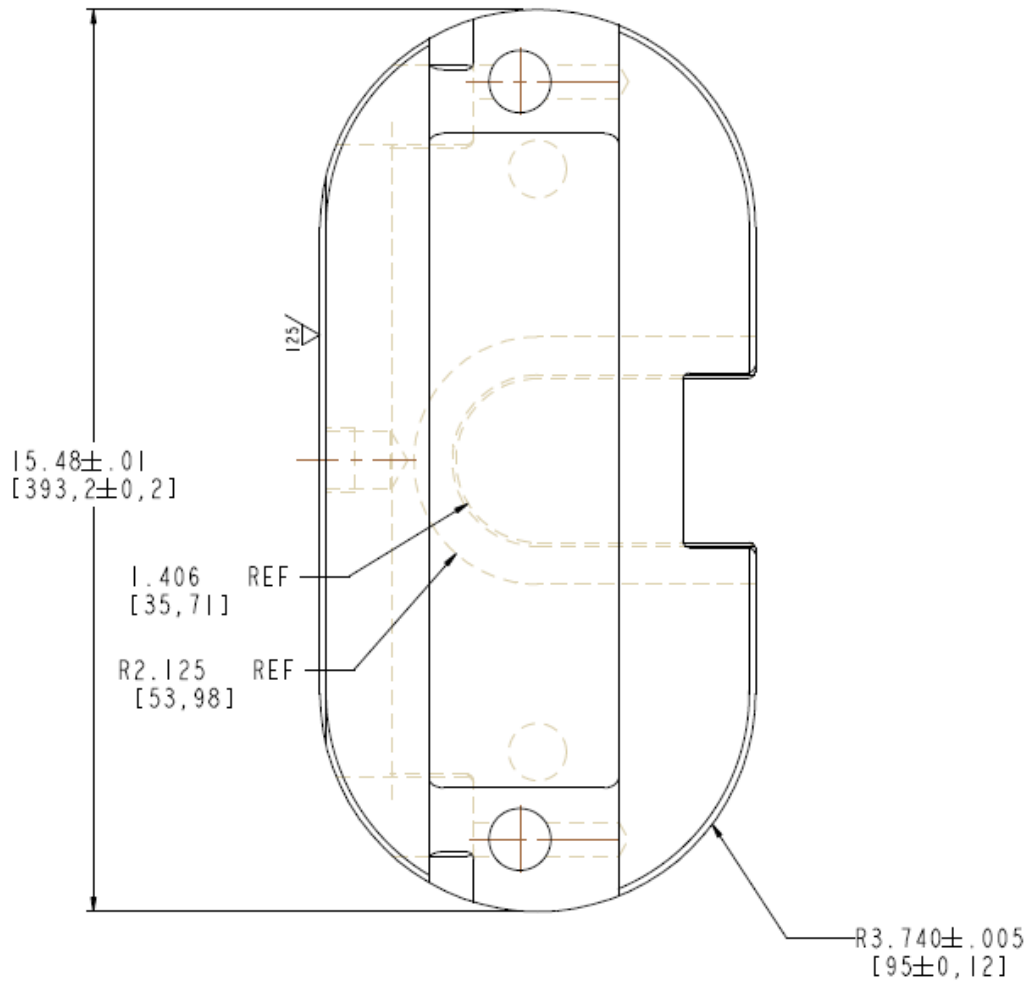
For Sale: New 13 5/8" 3M/5M/10M U-BOP Ram Blind Blocks, API16A

Contact Jeff Weber, (+1) 432-687-5445, jeff@jeffweber.net



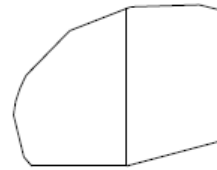
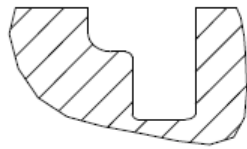
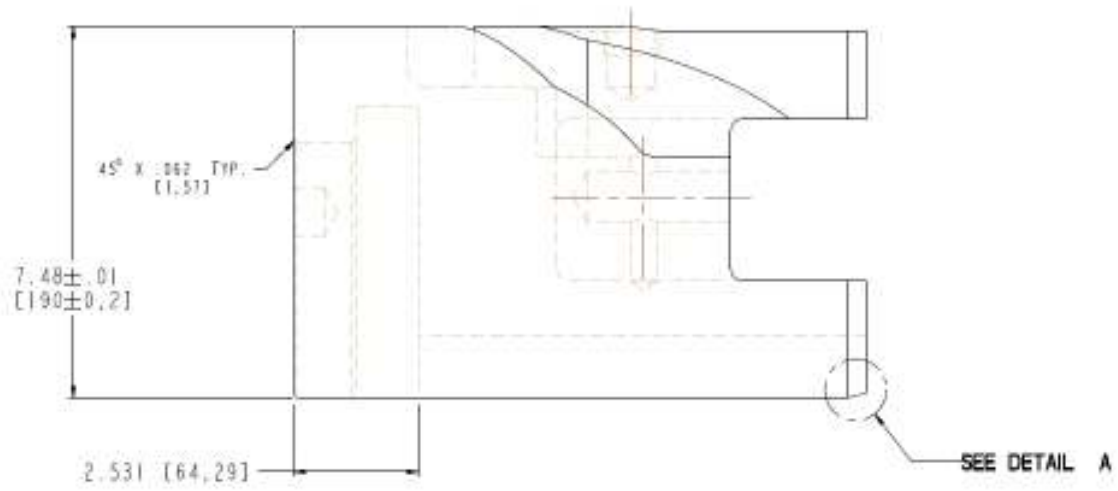
For Sale: New 13 5/8" 3M/5M/10M U-BOP Ram Blind Blocks, API16A

Contact Jeff Weber, (+1) 432-687-5445, jeff@jeffweber.net



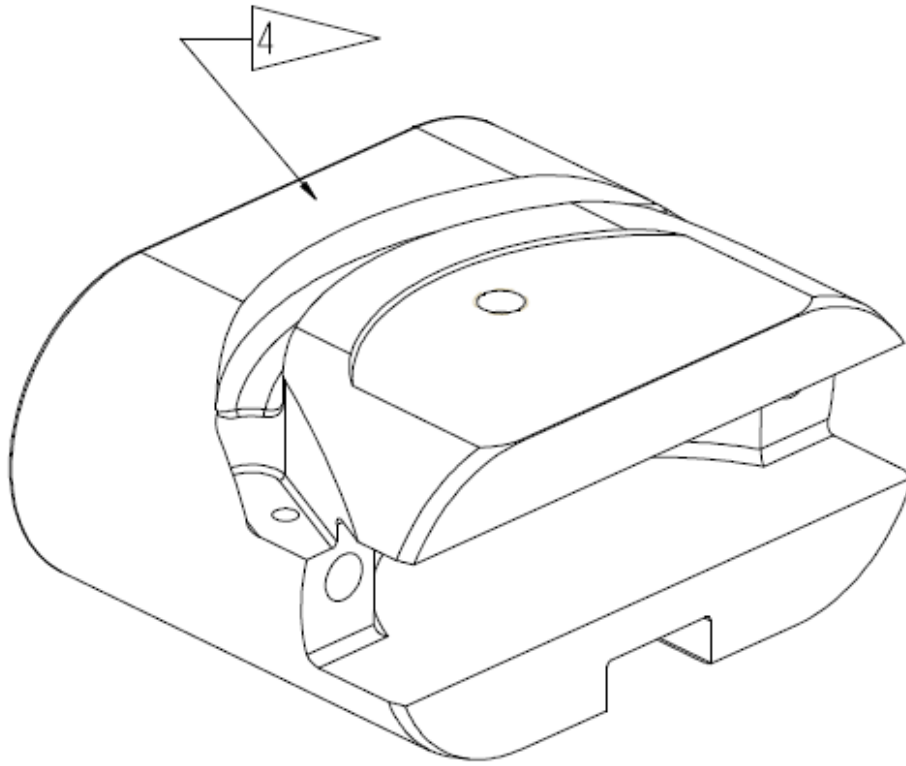
For Sale: New 13 5/8" 3M/5M/10M U-BOP Ram Blind Blocks, API16A

Contact Jeff Weber, (+1) 432-687-5445, jeff@jeffweber.net



For Sale: New 13 5/8" 3M/5M/10M U-BOP Ram Blind Blocks, API16A

Contact Jeff Weber, (+1) 432-687-5445, jeff@jeffweber.net



00	07-Jan-10	-	INITIAL RELEASE	ANTHONY						
REV	DATE	ZONE	DESCRIPTION	APPROVED						
<p>THIS DOCUMENT IS THE EXCLUSIVE PROPERTY OF OBOP PTE LTD AND IS NOT TO BE COPIED OR TRANSFERRED TO OTHER PARTIES WITHOUT THE WRITTEN APPROVAL OF OBOP. INFORMATION CONTAINED IN THIS DOCUMENT IS CONFIDENTIAL AND SHALL NOT BE MADE KNOWN TO THIRD PARTIES.</p>										
<p>TOLERANCE UNLESS SPECIFIED</p> <table border="1"> <tr> <td>.X ± .02</td> <td>UNITS INCHES (mm)</td> </tr> <tr> <td>.XX ± .01</td> <td>ANGLES ± .3 DEG.</td> </tr> <tr> <td>.XXX ± .005</td> <td>125/</td> </tr> </table>			.X ± .02	UNITS INCHES (mm)	.XX ± .01	ANGLES ± .3 DEG.	.XXX ± .005	125/	<p>SEE BOM FOR MATERIAL AND SPECIAL REQUIREMENTS. ITEMS NOT SHOWN ON BOM DO NOT APPLY.</p>	
.X ± .02	UNITS INCHES (mm)									
.XX ± .01	ANGLES ± .3 DEG.									
.XXX ± .005	125/									
<p>DRAWN: KEVIN</p>			DATE: 07-Jan-10	REV : 00						
<p>APPROVED: ANTHONY</p>			DATE: 07-Jan-10	PART No.: SD-00104						
<p>TITLE: 13-5/8 - 3M/5M/10M U-BOP-RAM BLOCK BLIND</p>			<p>SHEET 1 OF 1</p>							