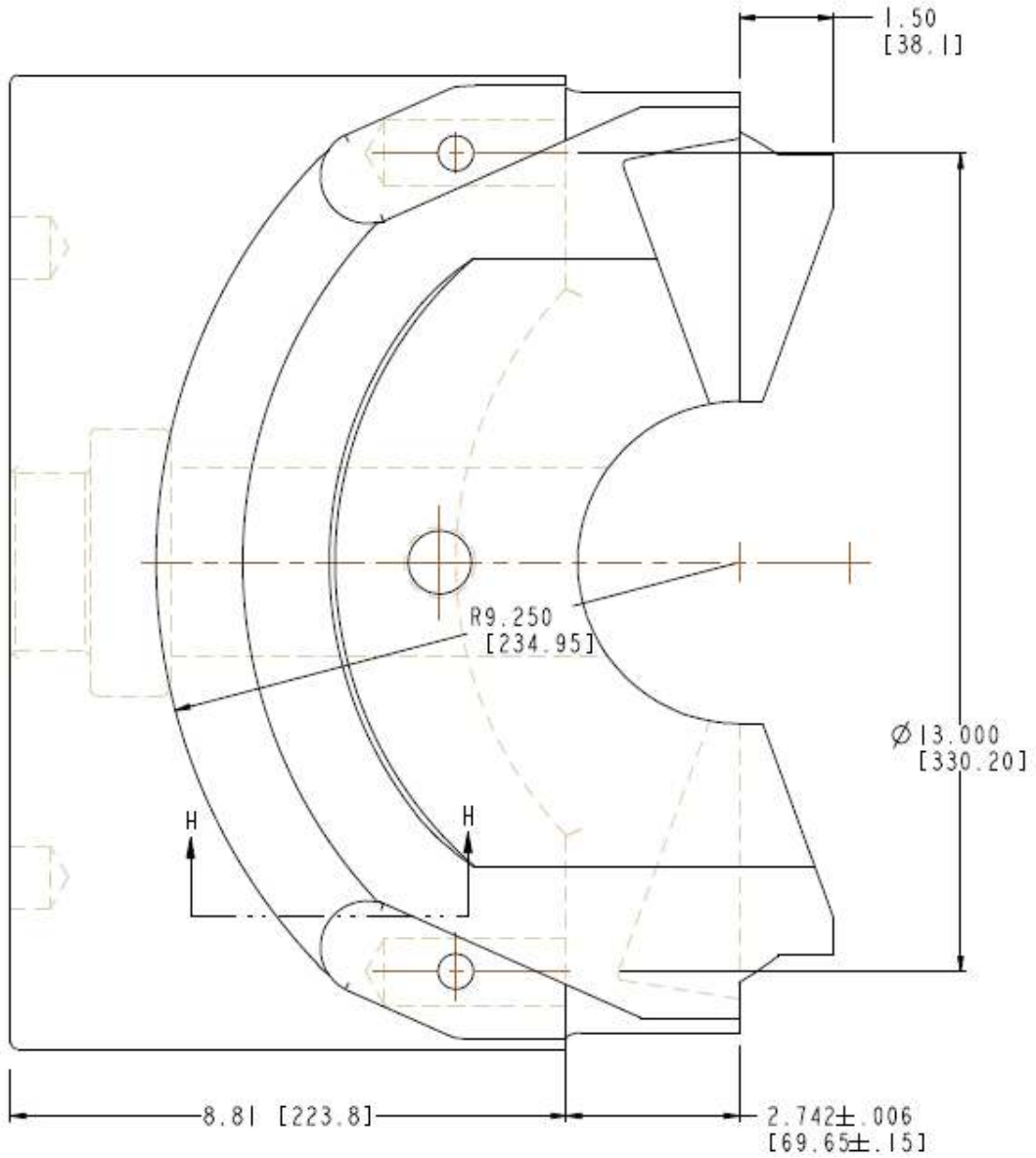


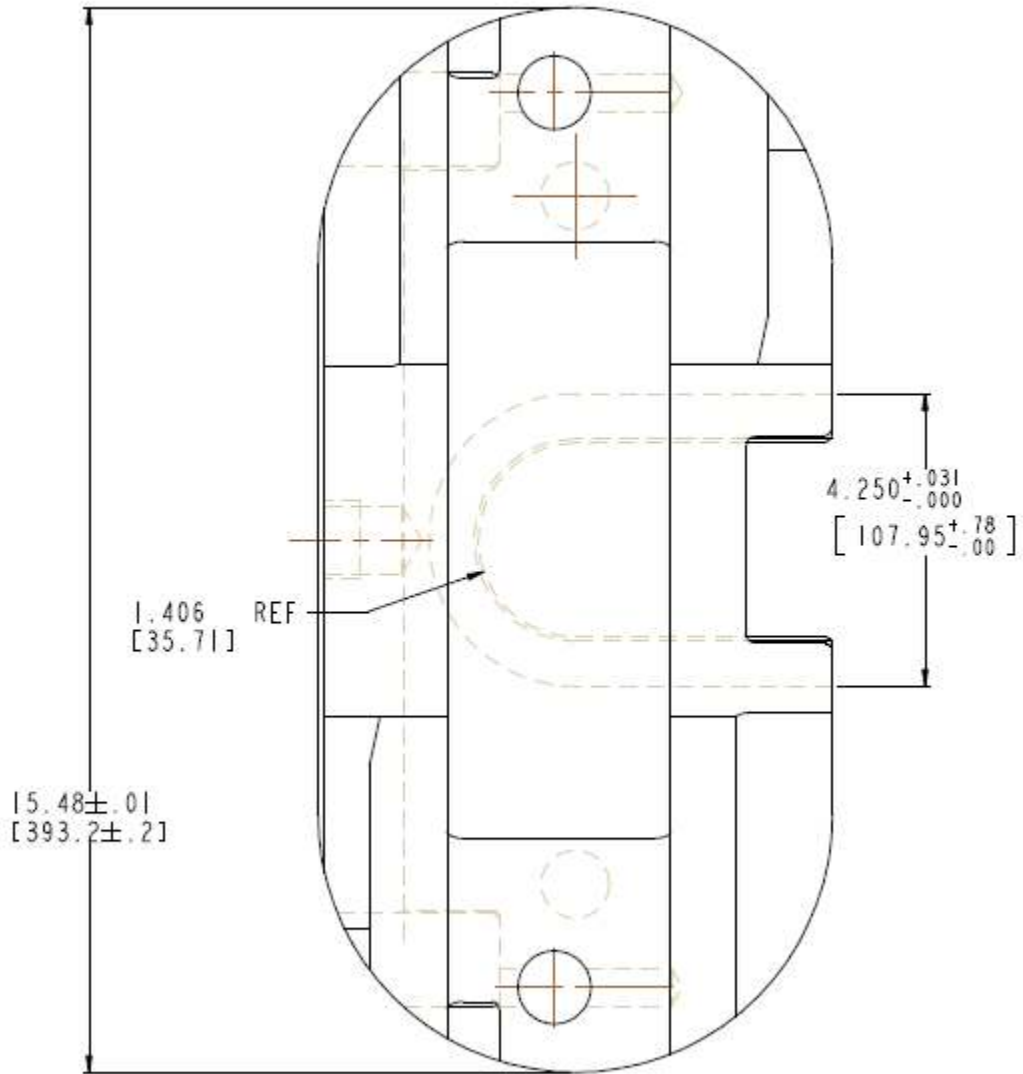
**For Sale: New 11" 3M/5M/10M U-BOP Ram Block (5 inch pipe) API16A**

Contact Jeff Weber, (+1) 432-687-5445, jeff@jeffweber.net



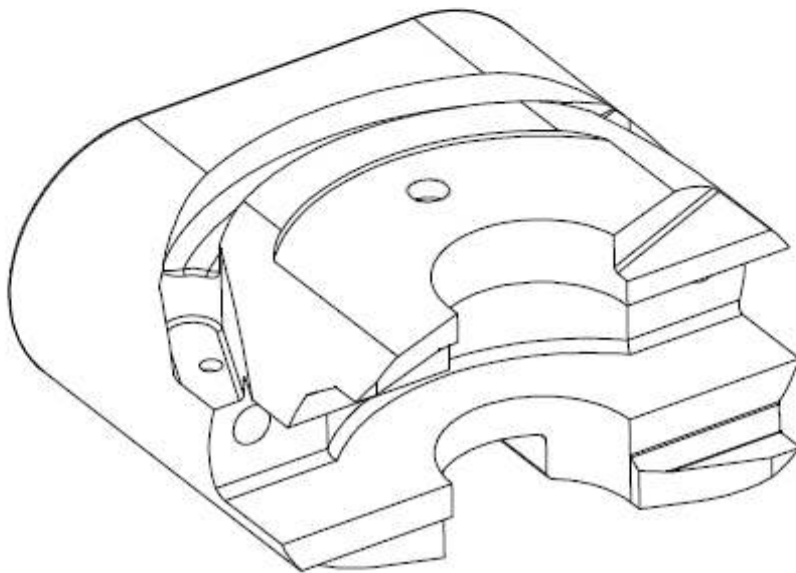
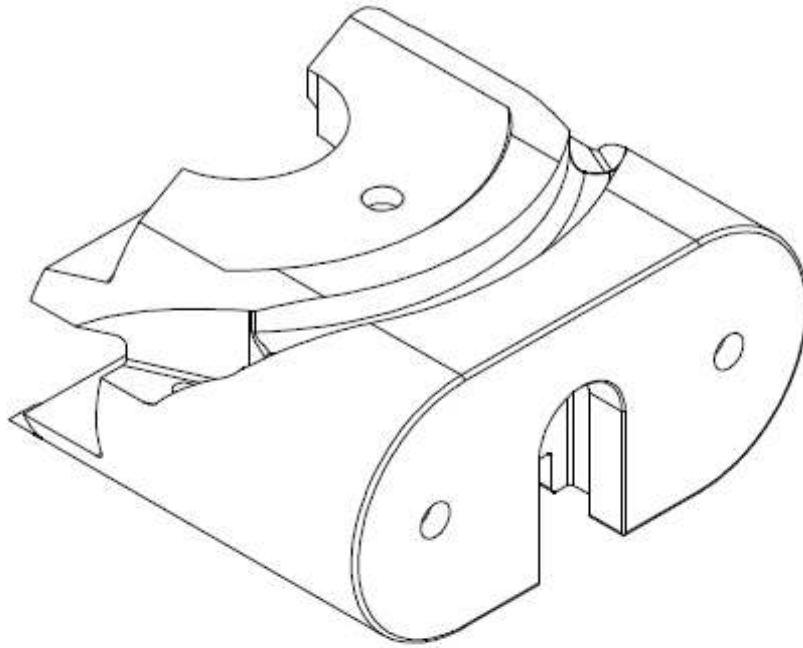
**For Sale: New 11" 3M/5M/10M U-BOP Ram Block (5 inch pipe) API16A**

Contact Jeff Weber, (+1) 432-687-5445, jeff@jeffweber.net



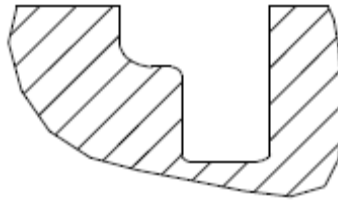
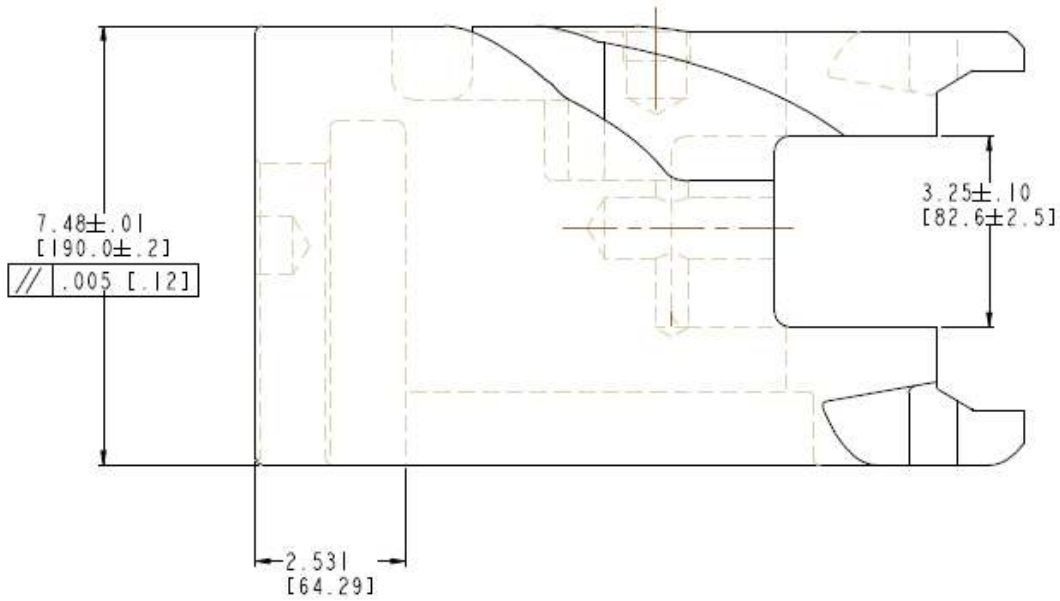
**For Sale: New 11" 3M/5M/10M U-BOP Ram Block (5 inch pipe) API16A**

Contact Jeff Weber, (+1) 432-687-5445, [jeff@jeffweber.net](mailto:jeff@jeffweber.net)



**For Sale: New 11" 3M/5M/10M U-BOP Ram Block (5 inch pipe) API16A**

Contact Jeff Weber, (+1) 432-687-5445, jeff@jeffweber.net



SECTION H-H  
SCALE 0.250

00	08-Jul-10		INITIAL RELEASE	CJ
REV	DATE	ZONE	DESCRIPTION	APPROVED
<p>THIS DOCUMENT IS THE EXCLUSIVE PROPERTY OF OBOP PTE LTD AND IS NOT TO BE COPIED OR TRANSFERRED TO OTHER PARTIES WITHOUT THE WRITTEN APPROVAL OF OBOP. INFORMATION CONTAINED IN THIS DOCUMENT IS CONFIDENTIAL AND SHALL NOT BE MADE KNOWN TO THIRD PARTIES.</p>				
TOLERANCE UNLESS SPECIFIED		SEE BOM FOR MATERIAL AND SPECIAL REQUIREMENTS. ITEMS NOT SHOWN ON BOM DO NOT APPLY.		
.X ± .02	UNITS INCHES [mm]			
.XX ± .01	ANGLES ± .3 DEG.			
.XXX ± .005	125/			
TITLE: <b>13-5/8 - 3M/5M &amp; 10M U-BOP-RAM BLOCK (5" PIPE)</b>		DRAWN: DA KUMAR	DATE: 08-Jul-10	REV : 00
		APPROVED: CJ	DATE: 08-Jul-10	PART No.: SD-00110
				SHEET 1 OF 1